

Committed to Creating Clean Vacuum Environment

GEOWELL VACUUM CO., LTD.

Add: No. 99A-18, Chuangxin 1st Road, Hunnan District, Shenyang, China 110169

Tel: +86-24-83685362

Fax: +86-24-23783066

Website: <https://www.geowellscroll.com>

Email: sales@geowellscroll.com



Brief Introduction of GEOWELL VACUUM CO., LTD.

Basic Information

Company Name: GEOWELL VACUUM CO., LTD.

Address: No. 99A-18, Chuangxin 1st Road, Hunnan District, Shenyang, China 110169

Establishment time: Feb. 28, 2002

Registered capital: CNY ¥ 17,380,000

Employee: 28

Business scope: Development, manufacturing, and sales of vacuum acquisition and application equipment.



Company Mission

Provide customer satisfied, reliable, and durable products;

Contribute to the economic development of society;

Promote technological progress in relevant fields of society;

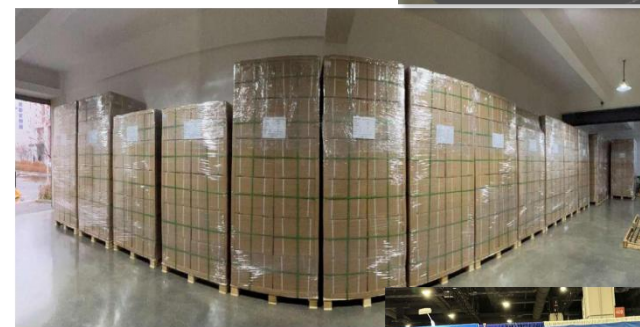
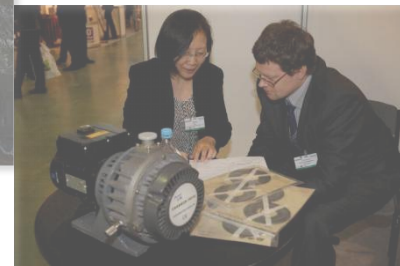
Create the best benefits for employees.



Brief Introduction of GEOWELL VACUUM CO., LTD.

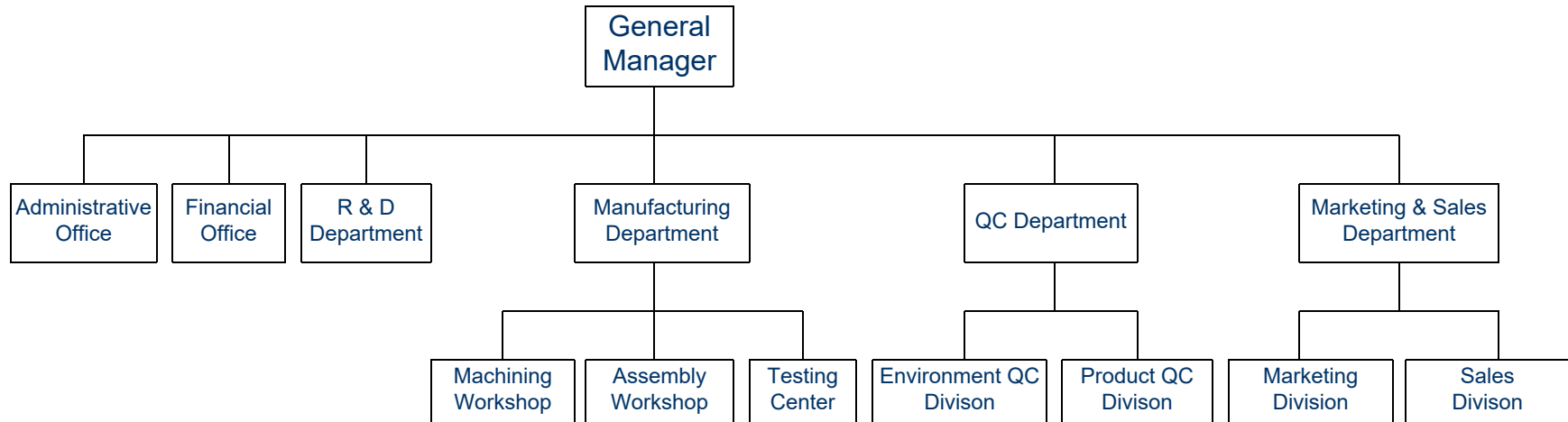
Development History

- 2002 GEOWELL VACUUM CO., LTD. Established.
- 2008 GWSP oil free scroll vacuum pumps put into market.
- 2009 GWSPC oil free scroll vacuum compressors put into market.
- 2010 GWSP oil free scroll vacuum pump exported to Singapore.
- 2011 GWSPS oil free scroll vacuum pumps put into market.
GWSPC oil free scroll vacuum compressor exported to Taiwan, Middleeast...
- GWSP oil free scroll vacuum pumps obtained CE certification (TUV).
GWSPC oil free scroll vacuum pumps put into market.
- 2012 Obtained ISO9001 certification.
ERP management (SAP) system started implement.
GWSP oil free scroll vacuum pump exported to United States, Korea...
- 2017 GWSP and GWSPC oil free scroll vacuum pumps obtained UL certification.
- 2018 GWSP and GWSPC oil free scroll vacuum pumps obtained EAC certification.
- 2019 Sales amount ranked No. 1 in China with more than 8,000 units first time.
- 2020 GWSPC oil free scroll vacuum compressors obtained CE certification (TUV).
Sales amount ranked No. 1 in China with more than 10,000 units.
Obtain more than 60 patents and soft ware copyrights since 2002.
ERP and BEAS management system implemented.
- 2022 Contract and quality control files system implemented.
Manufacturing data acquisition system implemented.
Sales amount continuous ranked No. 1 in China with more than 10,000 units since 2020.



Brief Introduction of GEOWELL VACUUM CO., LTD.

Company Organization



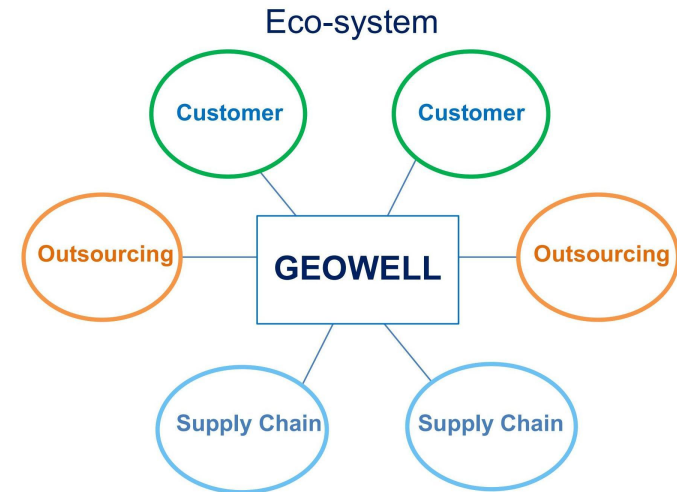
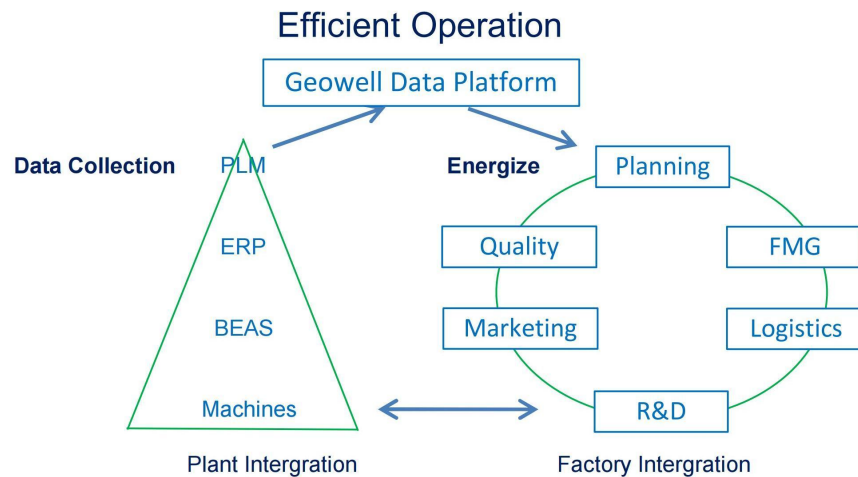
R & D Policies

6%+ of revenue is used for research and development expenses

ERP & BEAS system & manufacturing data acquisition system with the goal of efficient data analysis and decision-making

Brief Introduction of GEOWELL VACUUM CO., LTD.

Efficient Operation



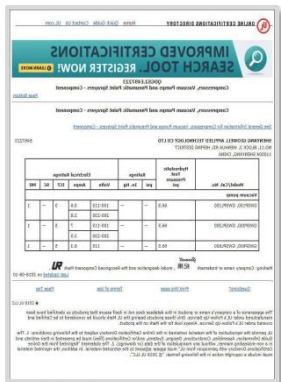
Digital Factory

GEOWELL applies intelligent production lines, digital simulation, collaboration and integration technology to achieve flexiable production and process consolidation in digital factory. Form a new model unit of discrete intelligent manufacturing.

By using digital simulation, data analysis, coaboration and integration technology, GEOWELL get the aim of guarentee the stability of products and improvement of production efficiency.

Brief Introduction of GEOWELL VACUUM CO., LTD.

Certificates



UL

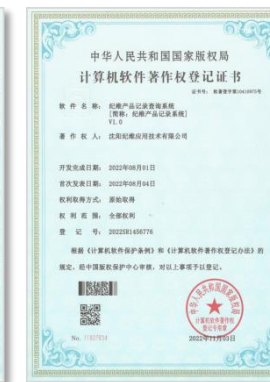
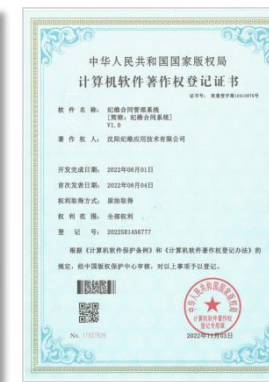
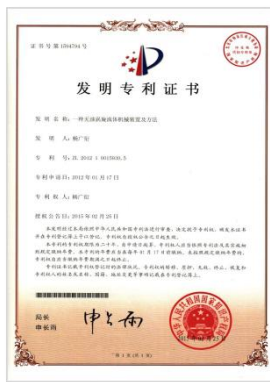


CE



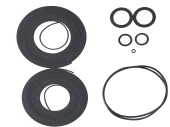
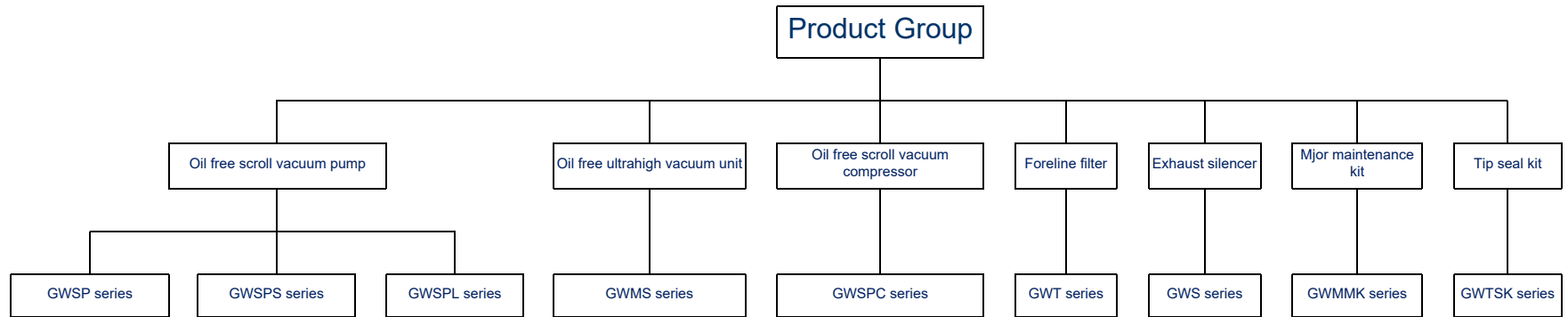
EAC

Patents & Copyrights



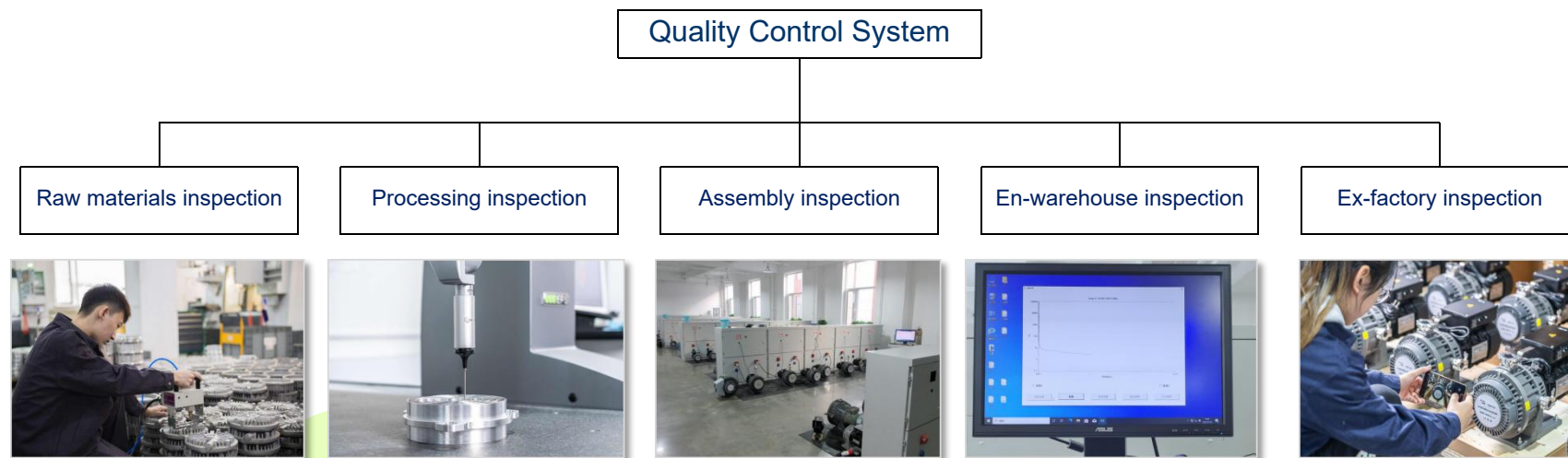
Brief Introduction of GEOWELL VACUUM CO., LTD.

Product Scope



Brief Introduction of GEOWELL VACUUM CO., LTD.

Quality Control

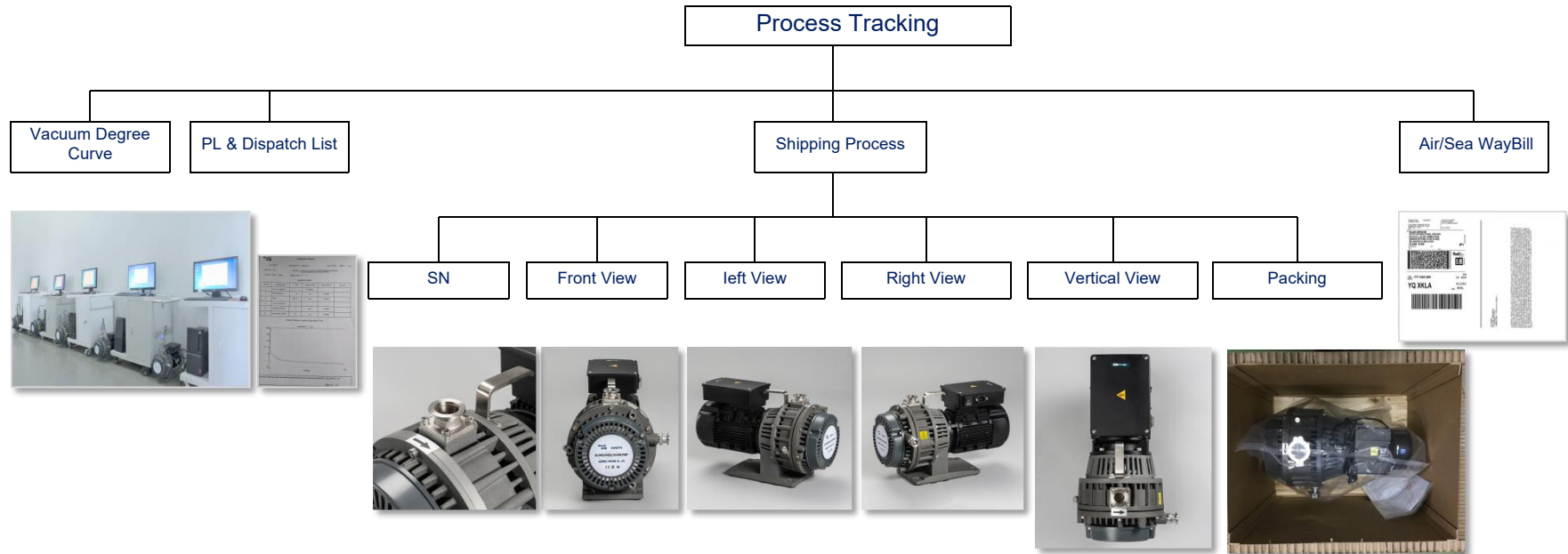


Ultimated vacuum inspecting
Pumping speed inspecting
Operating noise inspecting
Temperture rise inspecting
Operating vibration inspecting
Power consum inspecting

This block features a central image of a scroll compressor motor. Surrounding the motor are six light green circular callouts, each containing a specific inspection parameter: 'Ultimated vacuum inspecting', 'Pumping speed inspecting', 'Operating noise inspecting', 'Temperture rise inspecting', 'Operating vibration inspecting', and 'Power consum inspecting'.

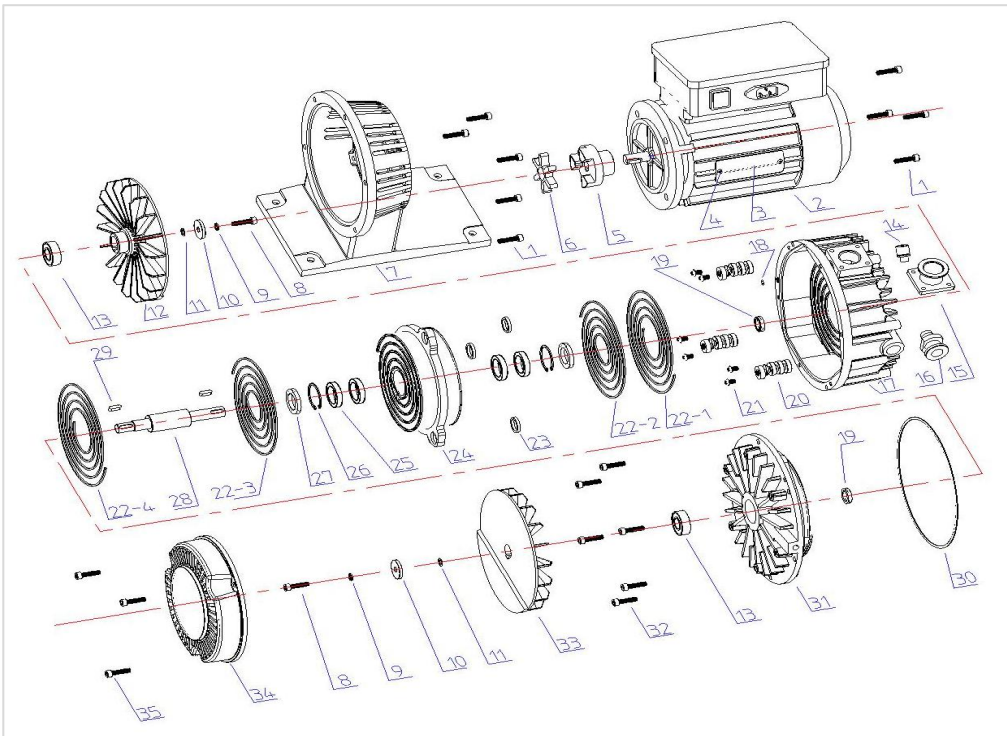
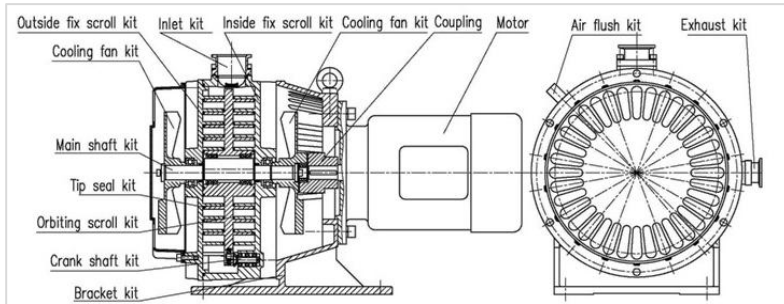
Brief Introduction of GEOWELL VACUUM CO., LTD.

Manufacturing Process Tracking



Brief Introduction of GEOWELL VACUUM CO., LTD.

Product Construction



Item	Part Name	Qty	Item	Part Name	Qty
1	Socket head cap screw	10	19	Shaft seal	2
2	Motor	1	20	Crank pin kit	3
3	Name plate	1	21	Slotted pan head screw	6
4	Rivet	2	22	Tip seal	1
5	Coupling	1	23	Crank pin elastic ring	3
6	Elastic coupling	1	24	Orbiting scroll plate	1
7	Bracket	1	25	Bearing	4
8	Socket head cap screw	2	26	Clamp	2
9	Spring retainer	3	27	Shaft seal	2
10	Retaining washer	2	28	Main shaft	1
11	Gasket	2	29	Key	2
12	Fan impeller (convex)	1	30	Oring	1
13	Bearing	2	31	Outside scroll plate	1
14	Gas ballast valve kit	1	32	Socket head cap screw	6
15	Air inlet kit	1	33	Fan impeller (flat)	1
16	Exhaust valve kit	1	34	Fan cover	1
17	Inner scroll plate	1	35	Socket head cap screw	3
18	Oring	1			

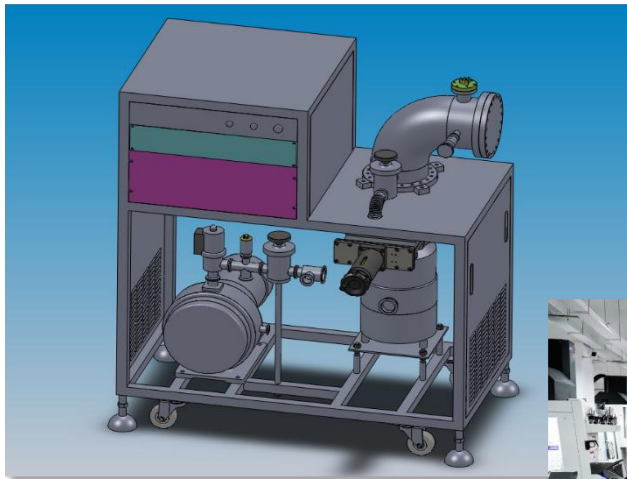
Brief Introduction of GEOWELL VACUUM CO., LTD.

Product Advantage

Advanced and reliable product design

High precision parts produced by CNC machining centers

Reasonable price and trustworthy operation





Product Specification Comparison

Comparison of Specification

Manufacturer		Edwards							
Model	Unit	mXDS3	nXDS6i		nXDS10i	nXDS15i	nXDS20i	XDS35i	
Pumping speed	m3/h	3	6.8		12.7	17.1	28	35	
Limited vacuum	mbar	0.1	0.02		0.007	0.007	0.03	0.001	
Noise level	dB(A)	54	52		52	52	52	57	
Motor	W	180	260		280	300	260	520	

Manufacturer		Agilent-1							
Model	Unit	IDP-3	IDP-7	IDP-10	IDP-15				
Pumping speed	m3/h	3.6	7.2	10.2	12.8				
Limited vacuum	mbar	0.33	0.04	0.02	0.13				
Noise level	dB(A)	55	52	52	56				
Motor	W	120	300	350	560				

Manufacturer		Agilent-2							
Model	Unit		SH110		Triscroll300		Triscroll 600		
Pumping speed	m3/h		6.65		12.6		25.2		
Limited vacuum	mbar		0.066		0.013		0.0093		
Noise level	dB(A)		56		68		68		
Motor	W		250		750		750		

Manufacturer		Anest Iwata							
Model	Unit	ISP50	ISP90			ISP250		ISP500	ISP1000
Pumping speed	m3/h	3	5.4			15		30	60
Limited vacuum	mbar	0.05	0.05			0.016		0.01	0.01
Noise level	dB(A)	52	52			58		60	65
Motor	W	150	150			400		600	1300

Manufacturer		Geowell							
Model	Unit	GWSP75	GWSP150			GWSP300		GWSP600	GWSP1000
Pumping speed	m3/h	3.6	7.2			15.5		31.3	59.8
Limited vacuum	mbar	0.08	0.06			0.026		0.01	0.01
Noise level	dB(A)	52	57			60		61	63
Motor	W	550	550			550		750	1500

Brief Introduction of GEOWELL VACUUM CO., LTD.

Product Application

Analytical instrument, Reasarch labs, Semiconductor manufacturing, Vacuum packing, HVAC and freezing drying, Vacuum coating and thin film deposition, Electron microscopy



Thank you!

GEOWELL VACUUM CO., LTD.

Add: No. 99A-18, Chuangxin 1st Road, Hunnan District, Shenyang, China 110169

Tel: +86-24-83685362

Fax: +86-24-23783066

Website: <https://www.geowellscroll.com>

Email: sales@geowellscroll.com

